

# LED AR111 SPOTLIGHTS SERIES PRODUCT SERIES DATASHEET



## LED AR111 Spotlights Series



88Light LED Spotlights comes with Epistar SMD LED CHIP which provides high brightness and excellent color rendering index, makes them ideal for office, Spa's shopping mall, Jewelry stores, exhibition halls and cove lighting application. Designed with energy-saving up to 90%, advanced heat dissipation technology and a internal constant current driver. CE (TUV) for EMC, LVD and RoHS approved.

### Applications:



ShoppingMall



Bank



Exhibition hall



RailwayStation



Office



livingroom



JewelryStore



Residence

## PRODUCT FEATURES

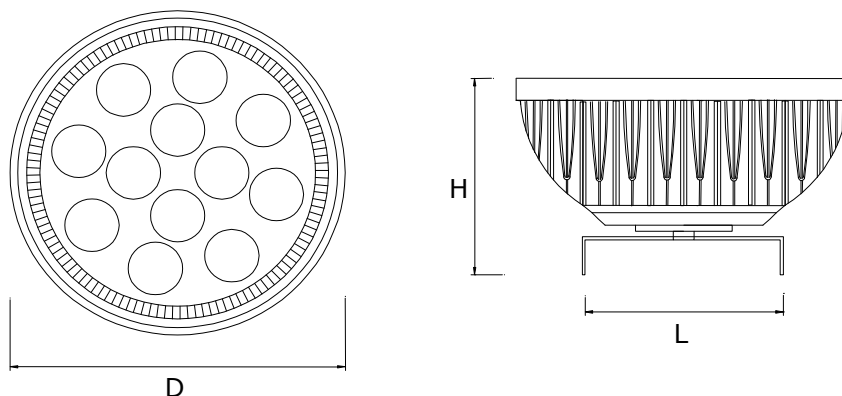
- High Brightness Epistar chip.
- Up to 90% energy saving compare with halogen Spotlight.
- Warm white/Nature white/Cool white options.
- Instant start, no flickering, no humming.
- Light is soft and uniform, no UV or IR in the beam, safe to eyes.
- Internal Driver, large range of input voltage from 200Vac to 240Vac.
- Using aluminum alloy material and PMMA lenses, for High thermal conductivity and better light beam.
- Can replace halogen bulbs without additional equipment needed.
- Easy to install and operate, different bases available, IP23 indoor applications.
- Green and eco-friendly without mercury.
- Long lifespan.
- CE for EMC and LVD approved. RoHS compliant.



LED AR111 SPOTLIGHTS SERIES  
PRODUCT SERIES DATASHEET



PRODUCT DIAGRAM <sup>1</sup>



Dimensions

Product Name	High(H) [mm]	Diameter(D) [mm]	Base(L)
88L-AR111-5W	68	111	G53
88L-AR111-7W	68	111	G53
88L-AR111-9W	68	111	G53
88L-AR111-12W	68	111	G53

Note 1: The structure drawing is only for showing the dimensions.

TECHNICAL DATA

Electrical characteristics <sup>2, 3, 4:</sup>

Product Name	Operating Voltage [V]	Frequency [Hz]	Power [W]	Power Factor	Shell Color	Dimmable [Y/N]
88L-AR111-5W	ac 85-265	50~ 60	5	0.9	Silver	Y
88L-AR111-7W	ac 85-265	50~ 60	7	0.9	Silver	Y
88L-AR111-9W	ac 85-265	50~ 60	9	0.9	Silver	Y
88L-AR111-12W	ac 85-265	50~ 60	12	0.9	Silver	Y

Note 2: Absolute ratings @ 25°C.

Note 3: Dimmable or non-dimmable products available upon request.

Note 4: The operating temperature is - 20°C- 40°C

LED AR111 SPOTLIGHTS SERIES  
PRODUCT SERIES DATASHEET



TECHNICAL DATA

Optical Characteristics: <sup>2, 5</sup>

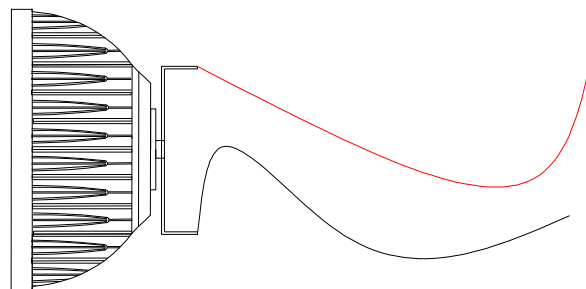
Product Name	Color	Color Temperature [°K]	Luminescence [lm]	CRI (Ra)	Beam Angle [°]
88L-AR111-5W	Cool White	6500	450	80	30/45/60/90
88L-AR111-5W	Nature White	4000	430	80	30/45/60/90
88L-AR111-5W	Warm White	3000	430	80	30/45/60/90
88L-AR111-7W	Cool White	6500	630	80	30/45/60/90
88L-AR111-7W	Nature White	4000	600	80	30/45/60/90
88L-AR111-7W	Warm White	3000	600	80	30/45/60/90
88L-AR111-9W	Cool White	6500	810	80	30/45/60/90
88L-AR111-9W	Nature White	4000	760	80	30/45/60/90
88L-AR111-9W	Warm White	3000	760	80	30/45/60/90
88L-AR111-12W	Cool White	6500	1080	80	30/45/60/90
88L-AR111-12W	Nature White	4000	1020	80	30/45/60/90
88L-AR111-12W	Warm White	3000	1020	80	30/45/60/90

Note 2: Absolute ratings @ 25°C.

Note 5: Tolerance of measurement of luminous intensity±8%.

PRODUCT INSTALLATION:

Precaution: Switch off power before doing any works.



1. Connect the wires, notice that, the red cable is positive, the other cable is negative.

2. after connected wires, power on the lamp to have a test.

3. After tested the lamp, fix the lamp to the holder.

LED AR111 SPOTLIGHTS SERIES  
PRODUCT SERIES DATASHEET



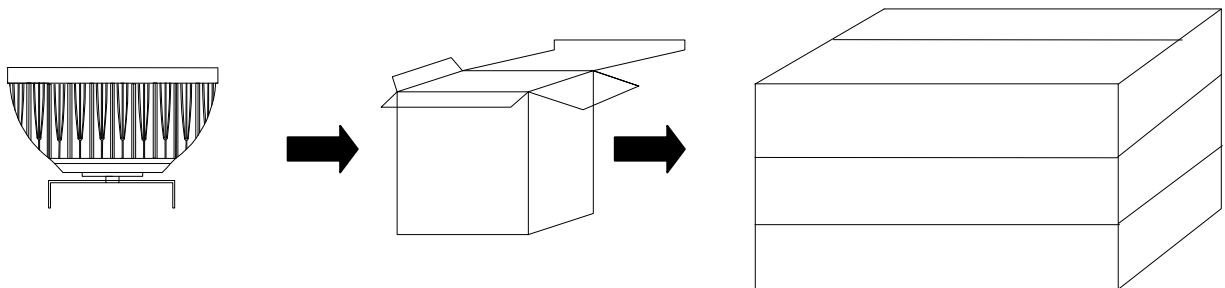
SAFETY

---

1. **Always** consult a qualified, licensed electrician prior to the installation of this product.
2. **Always** ensure that all components are joined properly before they are installed.
3. If any doubt about the installation or use of this product, consult a competent electrician.
4. Switch off power of the mains supply or respectively of the connection lead before doing any works.
5. Assembly must not damage or destroy conducting paths.
6. Make sure that the product is mounted on a stable, even and tilt-fixed background.
7. LED products are continuously being improved upon in ever-shortening manufacturing cycles. LED color temperature (kelvin), lumen output, and product appearance can change from order to order. Please note that variation in color temperature (kelvin) is commonly +/- 250k and brightness (lumens) is +/- 10%.
8. Keep away from direct sunshine and high temperature.
9. Indoor use only.

PACKING <sup>6,7</sup>:

---



LED AR111 SPOTLIGHTS SERIES  
PRODUCT SERIES DATASHEET



Product Name	Outer Carton Size (L×W×H)[cm]	Qty/Carton [pcs]	Box size [mm]	Gross Weight [Kg]
88L-AR111-5W	51x38x28	36	120x120x125	14.5
88L-AR111-7W	51x38x28	36	120x120x125	14.5
88L-AR111-9W	51x38x28	36	120x120x125	14.5
88L-AR111-12W	51x38x28	36	120x120x125	14.5

Note 6: Tolerance of measurement of Net weight intensity±5g.

Note 7: the package information is only for reference.

OTHER 88Light PRODUCTS:

For more information about 88Light products, or to use our online energy saving calculation software please visit our website

[www.88light.com](http://www.88light.com)

DISCLAIMER:

88Light reserves the right to modify the design of our products as part of the company's program of continuous improvement. 88Light cannot guarantee to match existing installed product for subsequent orders or replace the product exactly to match the product you are replacing in product appearance, color, or brightness. Specifications are subject to change without notice.